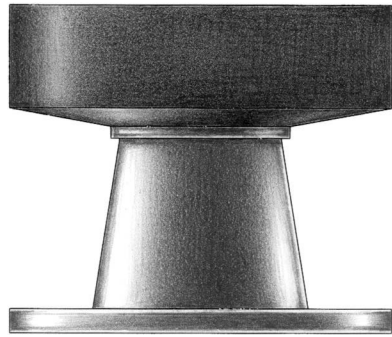
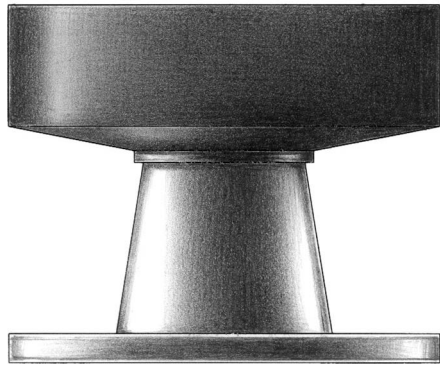
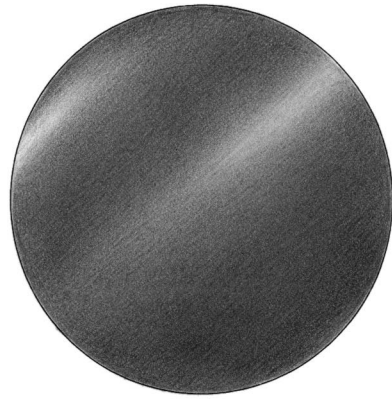
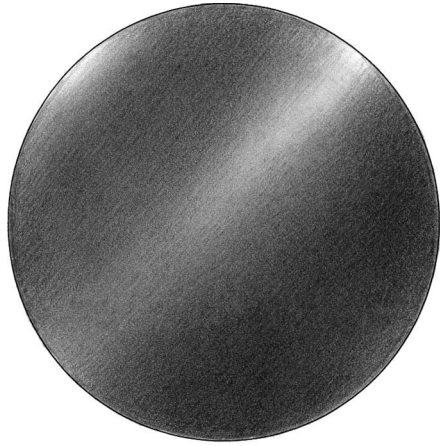


E. R. BUTLER & CO.



*2 1/2" Diameter*

*2" Diameter*

PREMIUM GRADE

## WCV 1179 Series Door Knobs and Roses (Ebonite)

*W.C. Vaughan Co. Collection*

Available in 2 1/4 and 2 inch Diameters for Doors.  
Available in Lucite, Ebonite, Wood, or Brass (Ebonite Shown).  
Solid Turned Brass Shank and Rose.  
Standard, Custom Plated and Patinated Finishes Available.

*Full Scale*

FINE ARCHITECTURAL, BUILDERS' AND CABINETMAKERS' HARDWARE