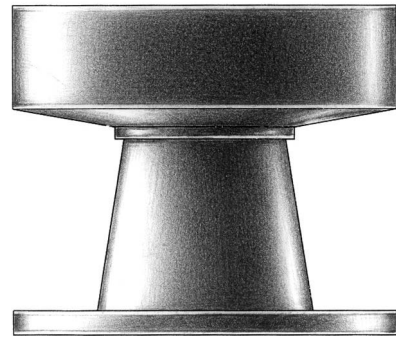
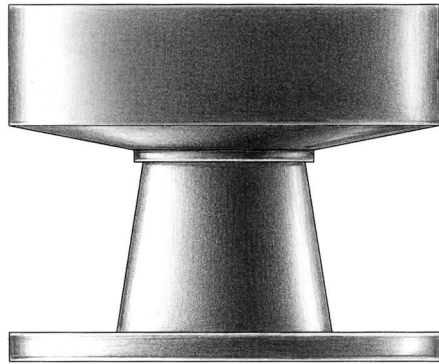
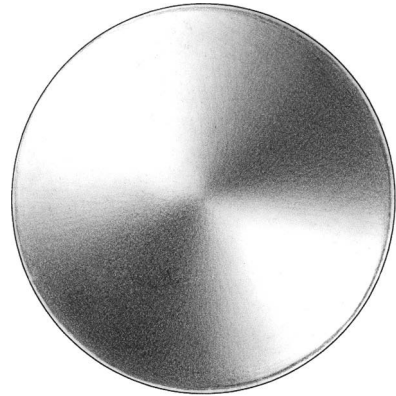
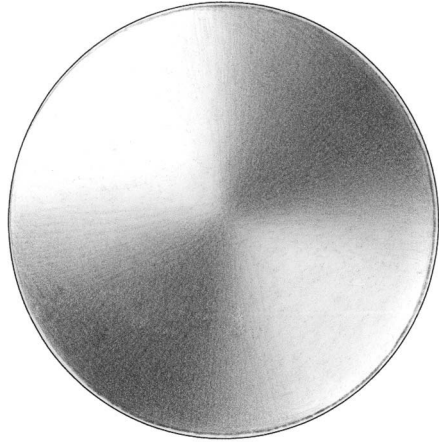


E. R. BUTLER & CO.



2 1/2" Diameter

2" Diameter

PREMIUM GRADE

WCV 1179 Series Door Knobs and Roses

W.C. Vaughan Co. Collection

Available in 2 1/4 and 2 inch Diameters for Doors.
Available in Lucite, Ebonite, Wood, or Brass (Brass Shown).
Solid Turned Brass Shank and Rose.
Standard, Custom Plated and Patinated Finishes Available.

Full Scale

FINE ARCHITECTURAL, BUILDERS' AND CABINETMAKERS' HARDWARE